

HAMPTON

Hampton Controls

1-800-437-2664

www.hamptoncontrols.com

DURAKOOL Series BFL (Open) & BBL (Closed) 35 Amps

These 35 Amp general purpose contactors offer additional load capacity as well as long contact-life performance. Top/bottom compression lug termination style allows easy connection to heavier leadwire (up to #4 AWG Copper).

Both BFL (normally open) and BBL (normally closed) are available in 1, 2, or 3 pole configurations, and feature low, stable contact resistance.

SPECIFICATIONS

(see pages 3-5 for other specifications)

Maximum Time:	Operate	Release
Normally Open:	70 ms	90 ms
Normally Closed:	150 ms	200 ms
Contact Bounce, Release:	None	
Recommended DC Load Polarity:	Top Connector Negative	
Load Connectors:	Pressure Connector #4-14 AWG Cu.	
Coil Terminals:	#6-32 Wire Binding Screw, Max. #12 AWG Cu.	
Breakdown Voltage:	5000 VRMS/Min. Across Contacts	

TYPE/SERIES		BFL (Normally Open)				BBL (Normally Closed)			
DESCRIPTION	Volts	Part Number	Typical Coil Data			Part Number	Typical Coil Data		
			DC Ohms	Watts	Amps		DC Ohms	Watts	Amps
1 Pole	24	BFL-7031	40	2.80	0.233	BBL-1002	40	2.00	0.189
	120	BFL-7032	902	3.69	0.057	BBL-1011	902	2.50	0.046
	208	BFL-7033	3100	3.46	0.030	BBL-1003	3100	2.50	0.026
	240	BFL-7034	3700	3.14	0.025	BBL-1004	3700	2.10	0.021
	277	BFL-7035	5410	3.42	0.022	BBL-1005	5410	2.50	0.017
	480	BFL-7036	15000	3.49	0.013	BBL-1006	15000	2.70	0.010
	12(DC)	BFL-7058	57	2.50	0.210	BBL-1007	57	2.50	0.209
	24(DC)	BFL-7048	230	2.50	0.104	BBL-1008	230	2.35	0.098
2 Pole	24	BFL2-7026	15	5.10	0.529	BBL2-1001	15	4.00	0.431
	120	BFL2-7027	350	7.10	0.130	BBL2-1002	350	5.60	0.108
	208	BFL2-7028	960	7.00	0.075	BBL2-1003	960	5.50	0.062
	240	BFL2-7029	1520	5.70	0.055	BBL2-1004	1520	4.30	0.046
	277	BFL2-7030	2300	5.70	0.045	BBL2-1005	2300	4.50	0.037
	480	BFL2-7031	5600	5.80	0.029	BBL2-1006	5600	4.60	0.023
	12(DC)	BFL2-7041	24	6.00	0.500	BBL2-1007	24	6.00	0.500
	24(DC)	BFL2-7032	90	6.40	0.266	BBL2-1008	90	6.40	0.266
3 Pole	24	BFL3-7023	5	11.10	1.270	BBL3-1001	5	11.10	1.270
	120	BFL3-7024	135	9.20	0.220	BBL3-1002	135	9.20	0.220
	208	BFL3-7025	480	8.70	0.111	BBL3-1003	480	7.20	0.094
	240	BFL3-7026	520	9.20	0.109	BBL3-1004	520	7.60	0.093
	277	BFL3-7027	830	8.10	0.081	BBL3-1005	830	6.70	0.067
	480	BFL3-7028	2100	9.40	0.055	BBL3-1006	2100	8.20	0.044
	12(DC)	BFL3-7037	12.8	11.20	0.938	BBL3-1007	12.8	10.60	0.883
	24(DC)	BFL3-7038	51	11.30	0.470	BBL3-1008	51	11.10	0.460

50 Hz models also available.

ELECTRICAL RATINGS	GENERAL PURPOSE 0.7/0.8 UL Power Factor							DC			Tungsten Lamp/60 Hz	AC MOTOR LOAD			
	Volts							1-48	120	240	120	1 Phase		3 Phase	
SERIES	60 Hz Amps							DC Amps			Amps	KW	Hp	Hp	Hp
	BFL 35 (Normally Open)	35	35	35	35	35	15	35	25	15	30	3.6	2.0	3.0	5.0
BBL 35 (Normally Closed)	30	22	20	18	10	8	30	20	10	20	2.4	1.5	2.0	3.0	

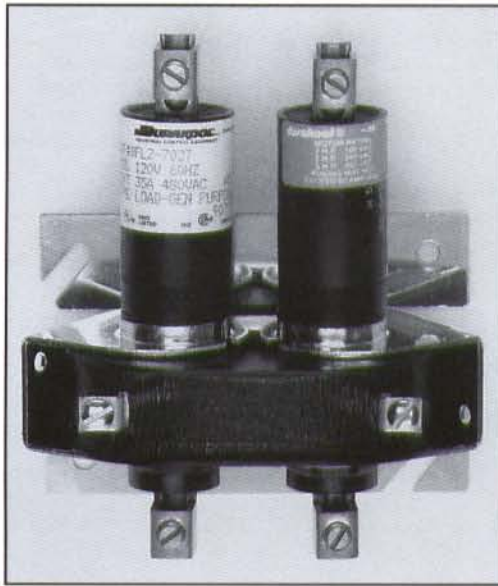
UL E35126

SF LR-22416

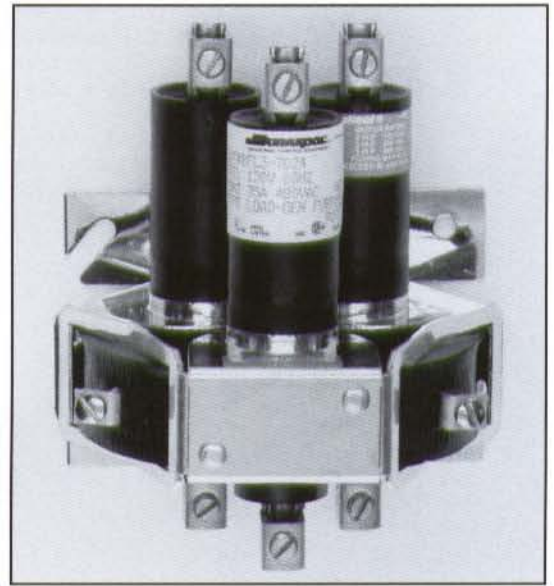
DURAKOOL Series BFL (Open) & BBL (Closed) 35 Amps



1 POLE
Weight 1.0 lbs.

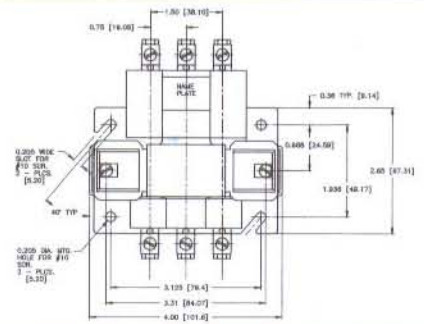
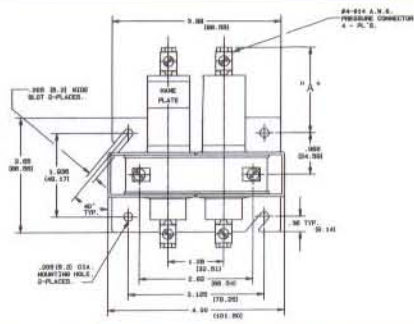
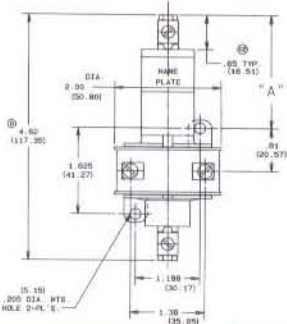


2 POLE
Weight 2.0 lbs.

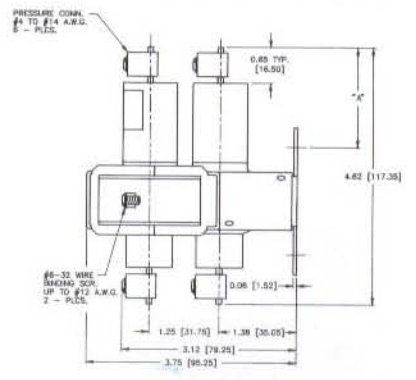
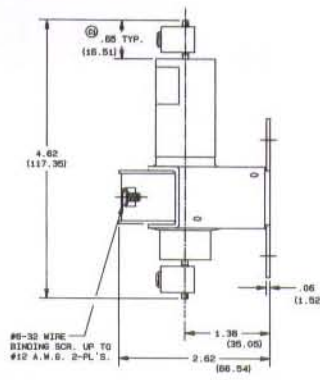
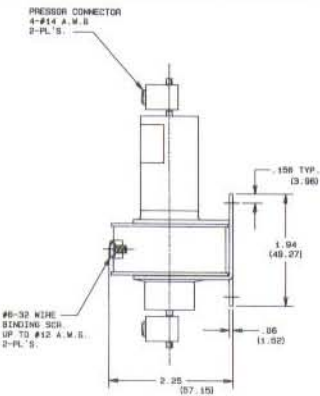


3 POLE
Weight 3.0 lbs.

FRONT VIEW



SIDE VIEW



DIMENSION "A"

Hz	BFL		BBL		BFL2		BBL2		BFL3		BBL3	
	in.	mm	in.	mm	in.	mm	in.	mm	in.	mm	in.	mm
DC	2.00	50.8	2.08	52.8	1.84	46.7	1.92	48.8	1.84	46.7	1.92	48.8
50	2.00	50.8	2.03	51.6	1.84	46.7	1.87	47.5	1.84	46.7	1.87	47.5
50/60	2.00	50.8	2.03	51.6	1.84	46.7	1.87	47.5	1.84	46.7	1.87	47.5
60	2.00	50.8	2.03	51.6	1.84	46.7	1.87	47.5	1.84	46.7	1.87	47.5